

**connection cables**  
**female M8 x 1 connector - male M8 x 1 connector**  
**SKP4-2-SSP4/P00**

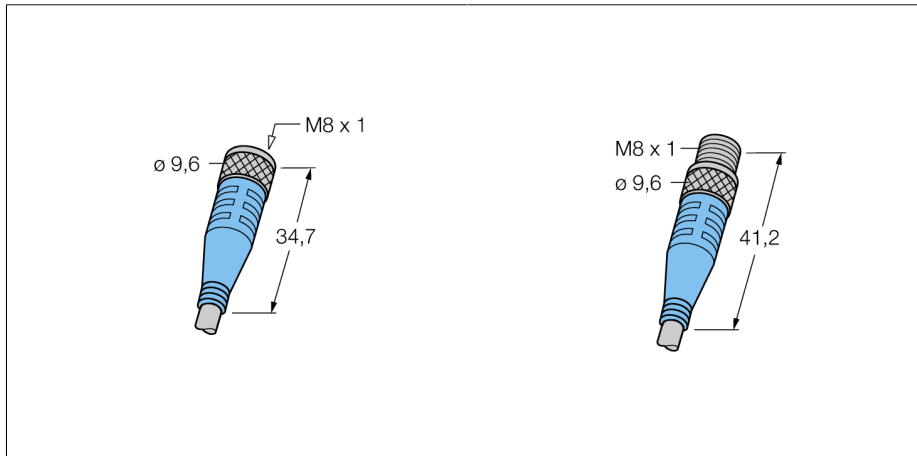
- **robust and pre-assembled round connector**
- **plastic moulding**
- **Degree of protection IP67**
- **also available with different cable lengths and of different materials**
- **compact version for space limited industrial applications**
- **PVC cable**
- **suited to average mechanical stress**

**Wiring diagram**



**Cable quality P00**

Pure PVC cable, resistant to average mechanical strain, for use in packaging machinery as well as assembly and production lines. Good resistance against acids and alkalis and thus suited for use in the food and beverage industry. Limited resistance to abrasion, conditional resistance to oils and chemicals.



<b>Type</b>	SKP4-2-SSP4/P00
Ident-No.	8009498
<b>Connector</b>	female connector, M8 x 1, straight
Polarity	4-pole
Contacts	metal, CuZn, gold-plated
Contact carriers	plastic, TPU, black
Grip	plastic, TPU, blue
Seal	plastic, FPM/FKM
Degree of protection	IP67, only with screws tightened
Mechanical lifespan	min. 100 contact durability
Pollution degree	3
<b>Connector</b>	male connector, M8 x 1, straight
Polarity	4-pole
Contact carriers	plastic, TPU, black
Contacts	metal, CuZn, gold-plated
Grip	plastic, TPU, blue
Coupling nut/screw	metal, CuZn, nickel-plated
Degree of protection	IP67, only in screwed state
Mechanical lifespan	min. 100 contact durability
Pollution degree	3
<b>Cable</b>	P00, LifYY
Cable diameter	Ø 4.4 mm
Cable length	2
Cable jacket	PVC, GY
Core insulation material	PVC
Core insulation colours	BN, WH, BU, BK
Core cross-section	4x0.25
Litz wire arrangement	32x0.1
Bending radius (moving state)	min. 10 x cable diameter
<b>Rated voltage</b>	max. 30 V
Insulation resistance	≥ 10 <sup>9</sup> Ω
Ampacity	4 A
Forward resistance	≤ 5 mΩ
Ambient temperature Connector	-30... +90
Cable ambient temperature	-40... +80